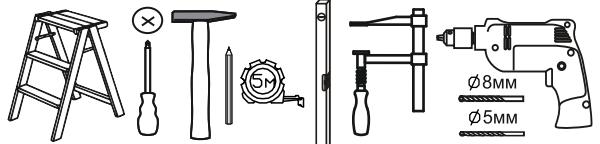











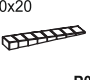



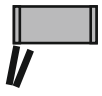












№	O/A 600	O/A 800	O/A 1000	Qty	Pkg
1	2200*507*16	2200*507*16	2200*507*16	1	1/5
2	2200*507*16	2200*507*16	2200*507*16	1	1/5
3	576*507*16	776*507*16	976*507*16	1	2/5
4	576*507*16	776*507*16	976*507*16	1	2/5
5	576*503*16	776*503*16	976*503*16	2	2/5
6	576*70*16	776*70*16	976*70*16	2	2/5
7	2123*301*3	2123*401*3	2123*501*3	2	3/5
8	2145*302*16	2145*402*16	2145*502*16	2	3/5
NV05	L-574	L-774	L-974	1	4/5
NN05	L-574	L-774	L-974	1	4/5
SP01	L-2091	L-2091	L-2091	1	3/5
SH01	L-573	L-773	L-973	1	2/5
RP04	L-1100	L-1100	L-1100	1	5/5


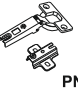




6x34  16x T01	Ø15  16x D15	3,5x16  16x S01	7x50  6x E01	4MM  1x K4	8x30  16x W-30	1,6x25  54x G01	 2x ST01
76x32  2x O01	 2x B01	 4x P01	100x20  2x P03	Ø15  20x Z06	Ø18  16x Z07	Ø40  3x Z08	

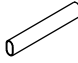


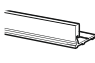


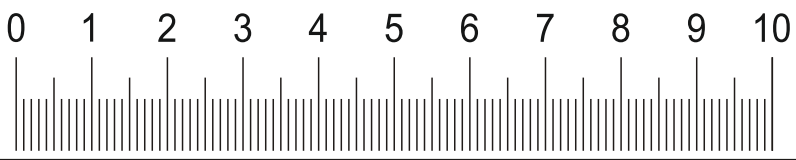
3,5x16  16x S01	 1x WL01	 1x WL02	 4x WL03	4x16  10x S03
 4x PN01	6,3*12,5  26x WL05	 1x WL06	 4x WL04	 2x WL07



3,5x16  32x S01	 8x PN01
---	---

L=1100  1x RP04	3,5x16  6x S01
--	--

L=573 L=773 L=973  1x SH01	L=2091  1x SP01	L=574 L=774 L=974  1x NV05	L=574 L=774 L=974  1x NN05
---	---	--	--



1

6x34



16x

T01

3,5x16



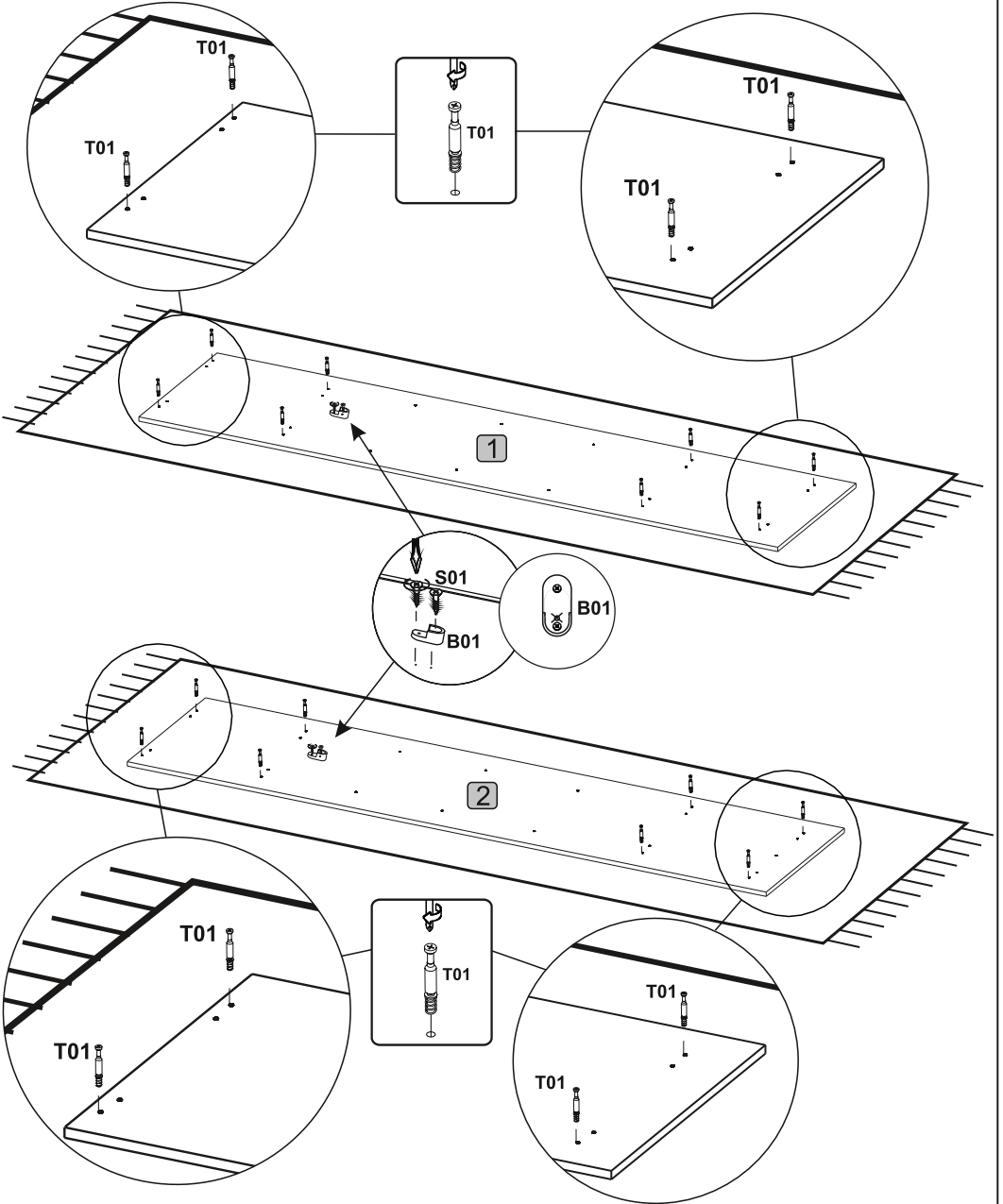
4x

S01

2x



B01



2



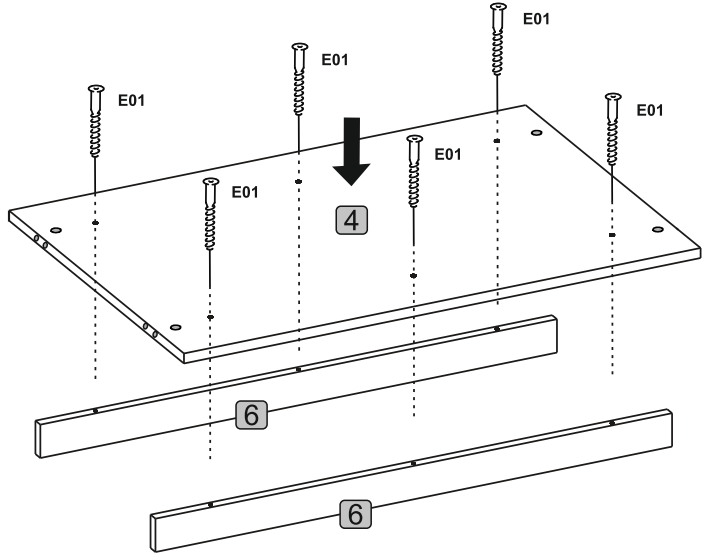
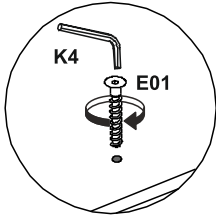
6x

E01



1x

K4



3



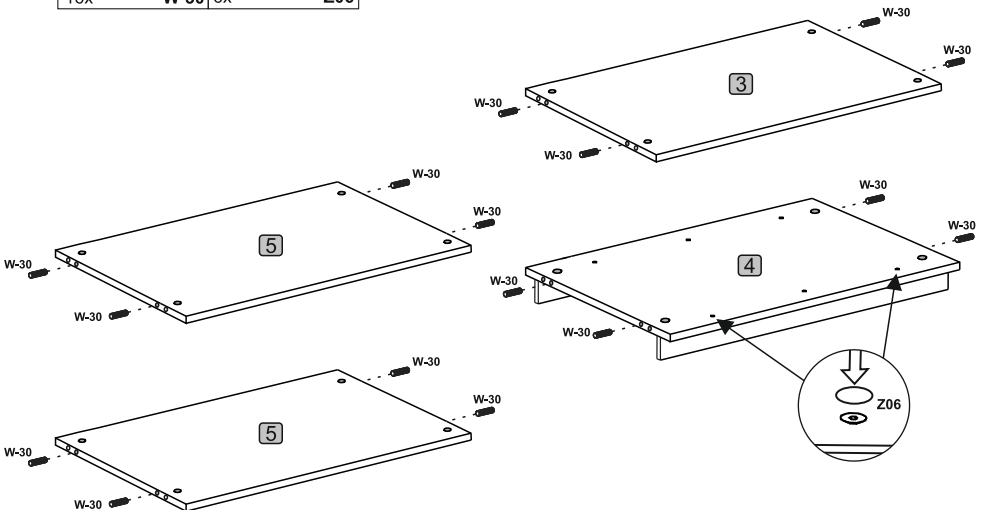
16x

W-30

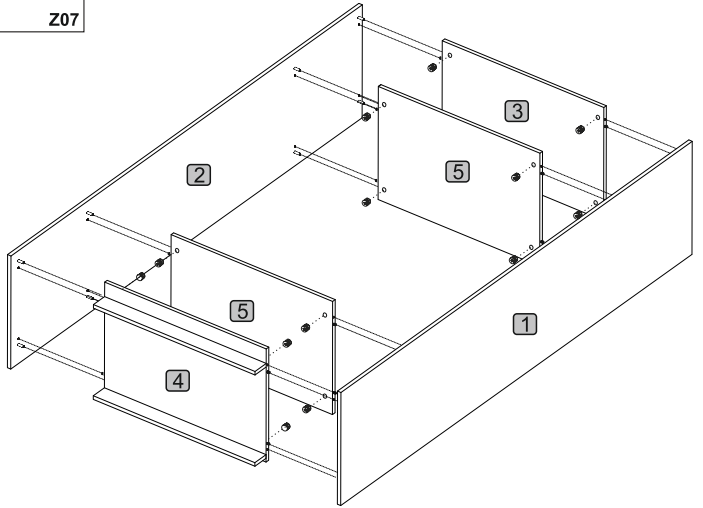
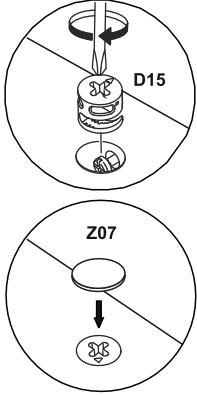


6x

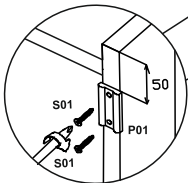
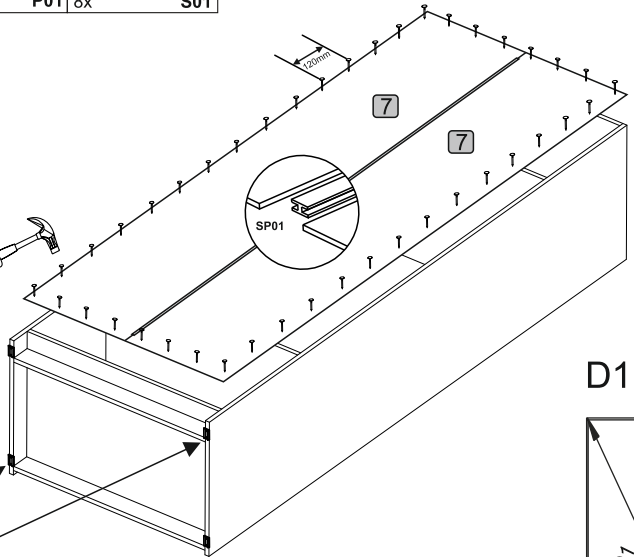
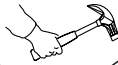
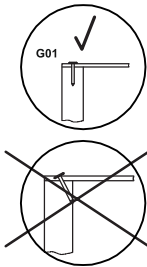
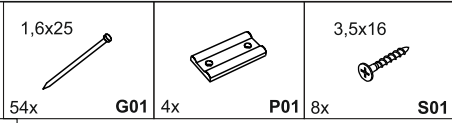
Z06



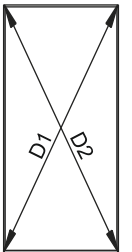
4



5



D1=D2



6



2x

O01



4x

S01

100x20



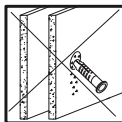
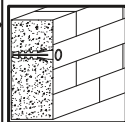
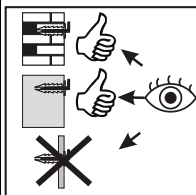
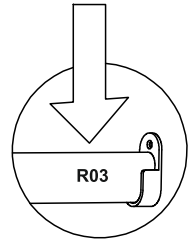
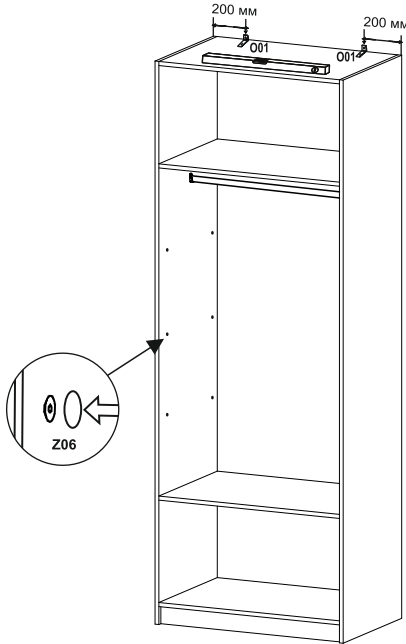
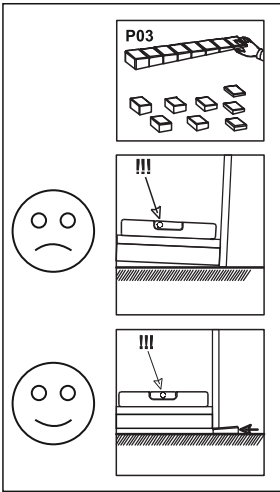
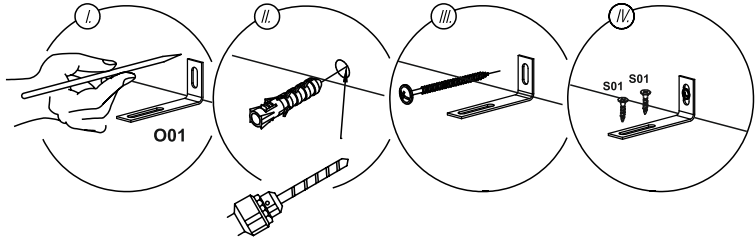
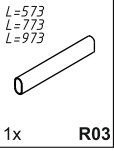
2x

P03

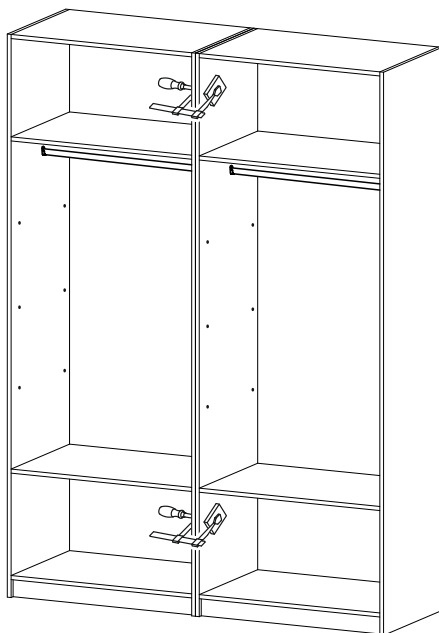
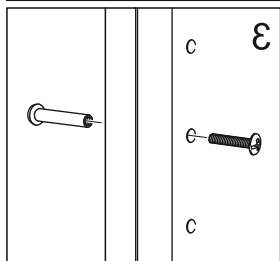
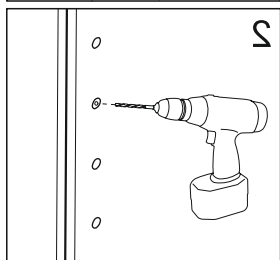
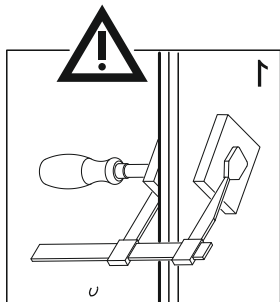
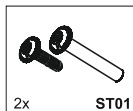


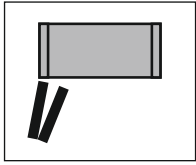
12x

Z06



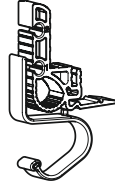
7





WL07

1.



2.



3.



8

4x16



5x

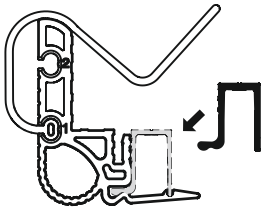
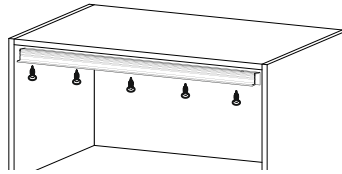
S03

L=574
L=774
L=974



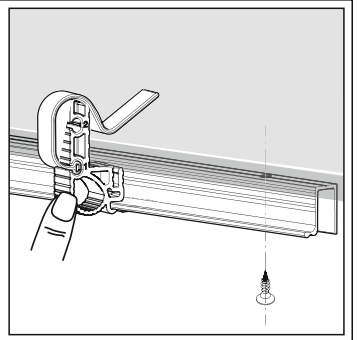
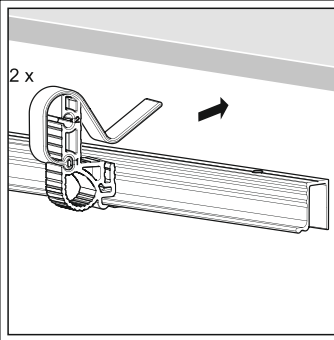
1x

NV05



WL07

2 x



9

4x16



5x

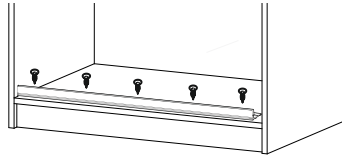
S03

L=574
L=774
L=974

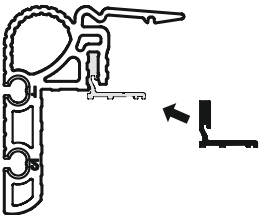


1x

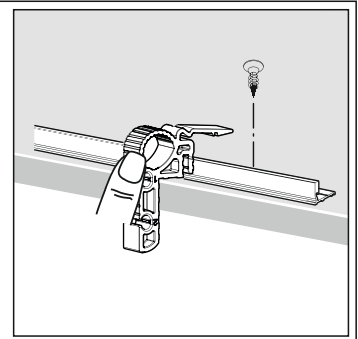
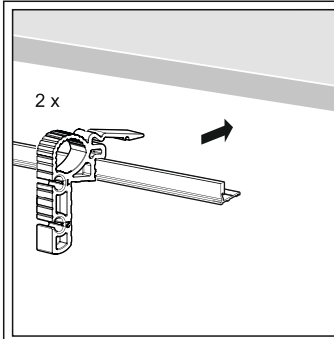
NN05




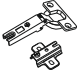



WL07

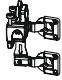







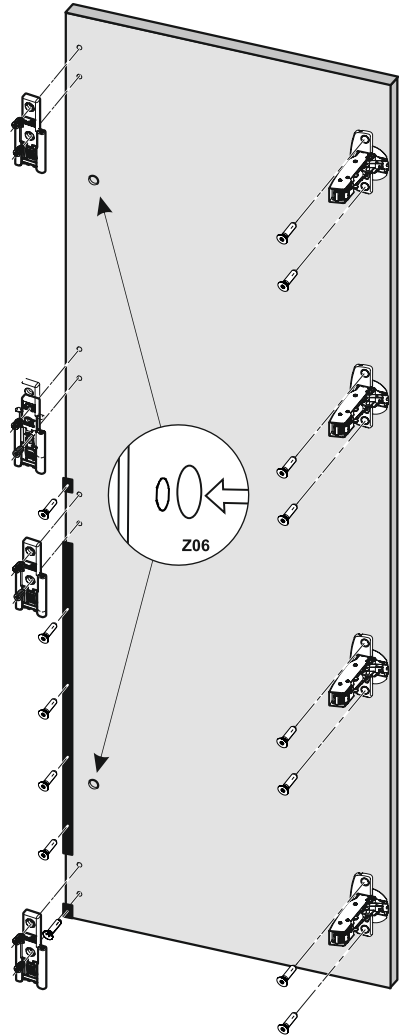
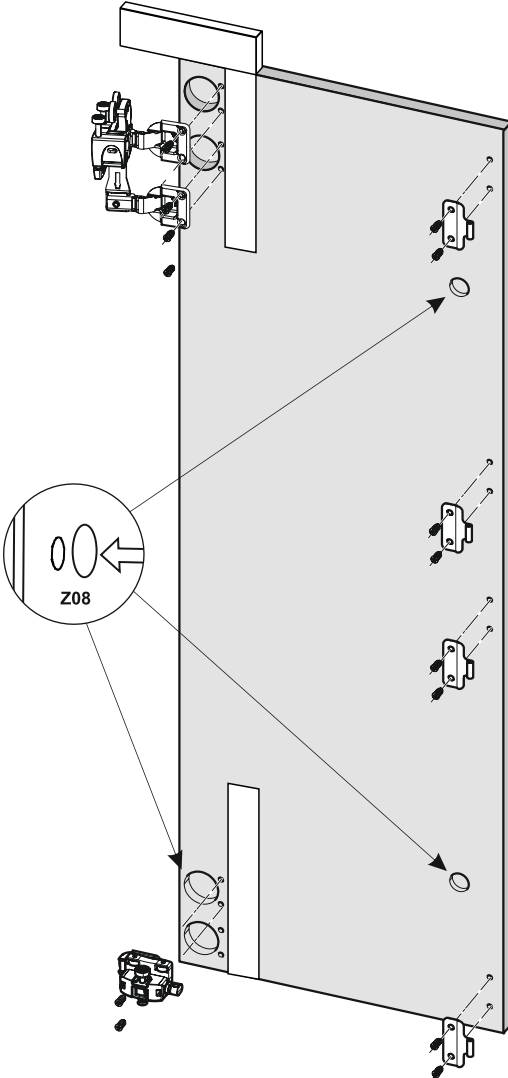
2 x



10

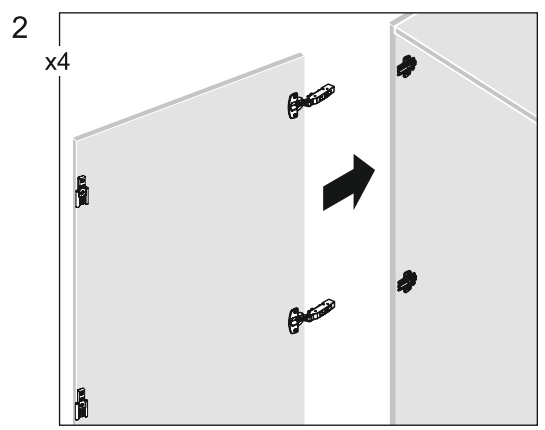
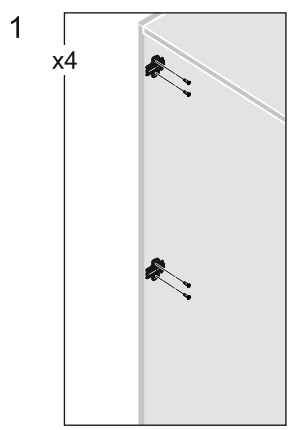
<p>3,5x16</p>  <p>14x S01</p>	<p><i>L=1100</i></p>  <p>4x PN01</p>	 <p>1x RP04</p>
 <p>2x Z06</p>	 <p>3x Z08</p>	

 <p>1x WL01</p>	 <p>1x WL02</p>	 <p>4x WL03</p>
<p>6,3*12,5</p>  <p>26x WL05</p>	 <p>1x WL06</p>	 <p>4x WL04</p>

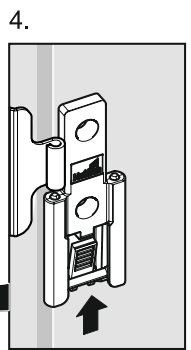
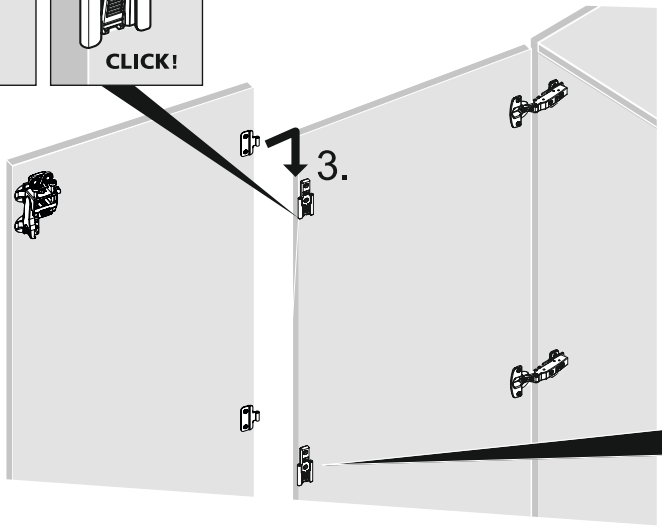
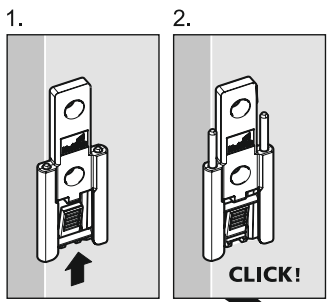


11

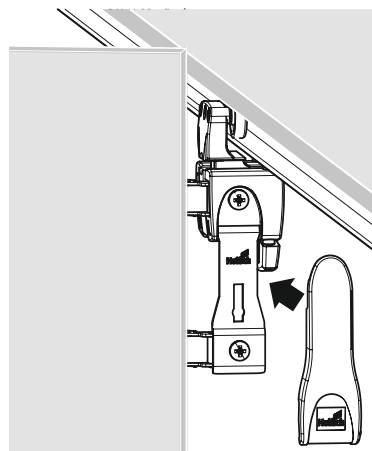
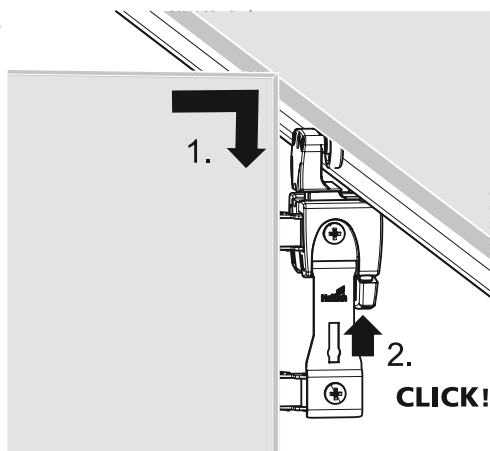
- 3,5x16
- 8x
- S01
- 4x
- PN01



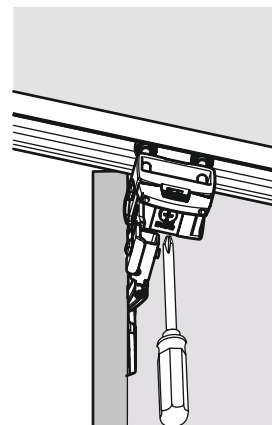
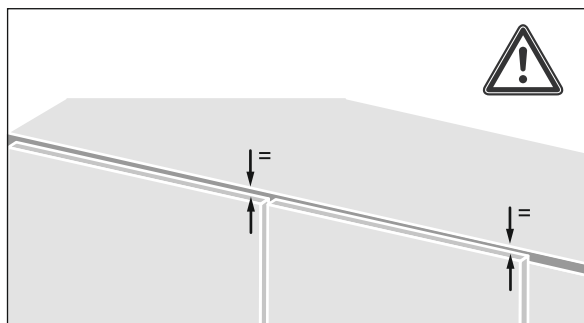
12



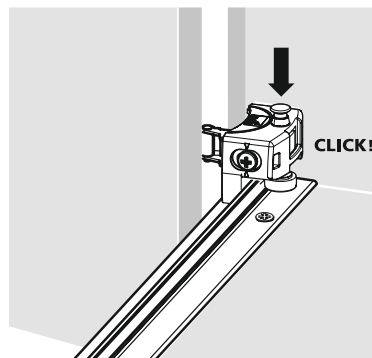
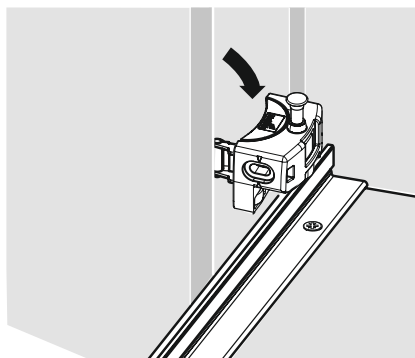
13





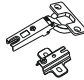
14

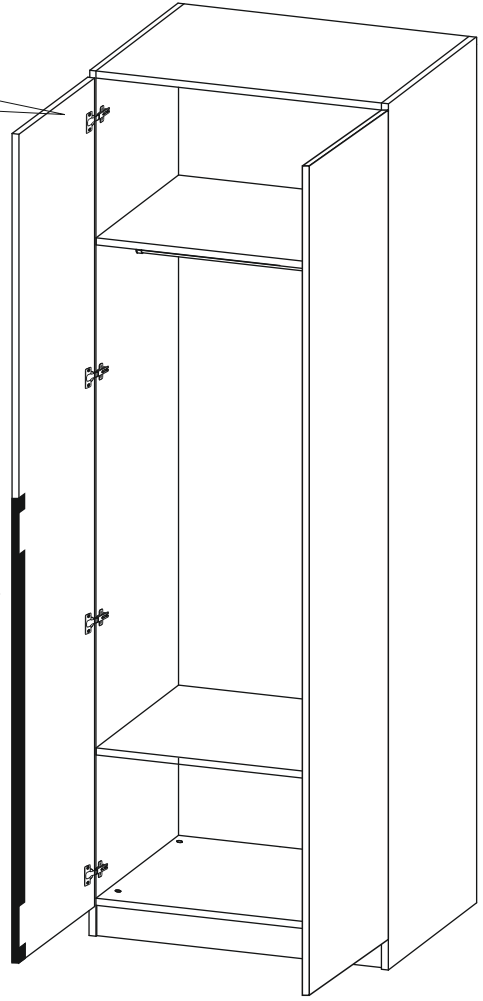
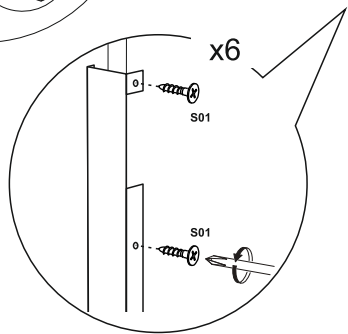
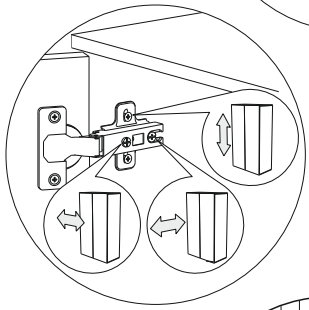
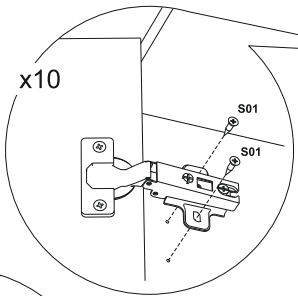
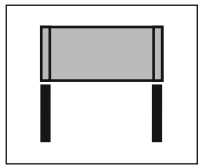


15

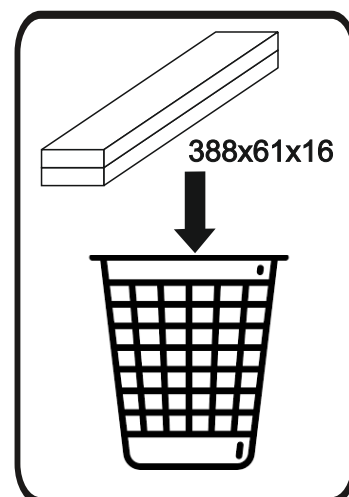
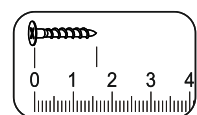
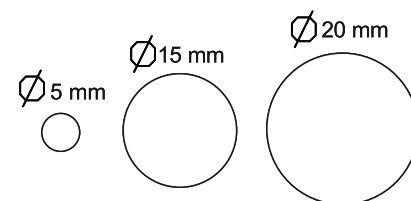
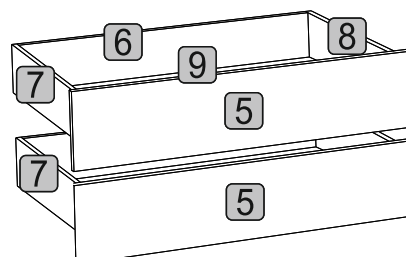
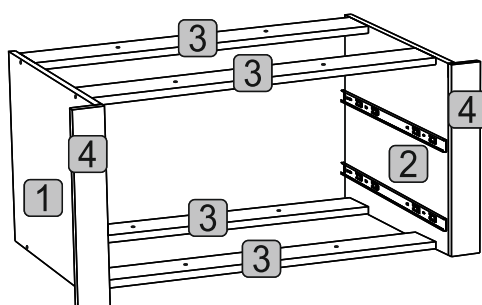
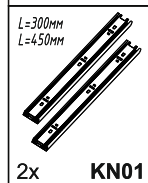
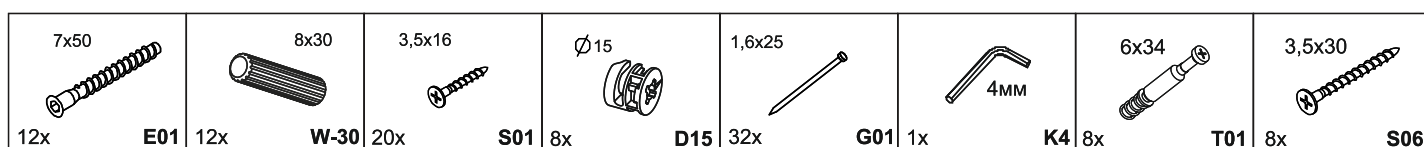


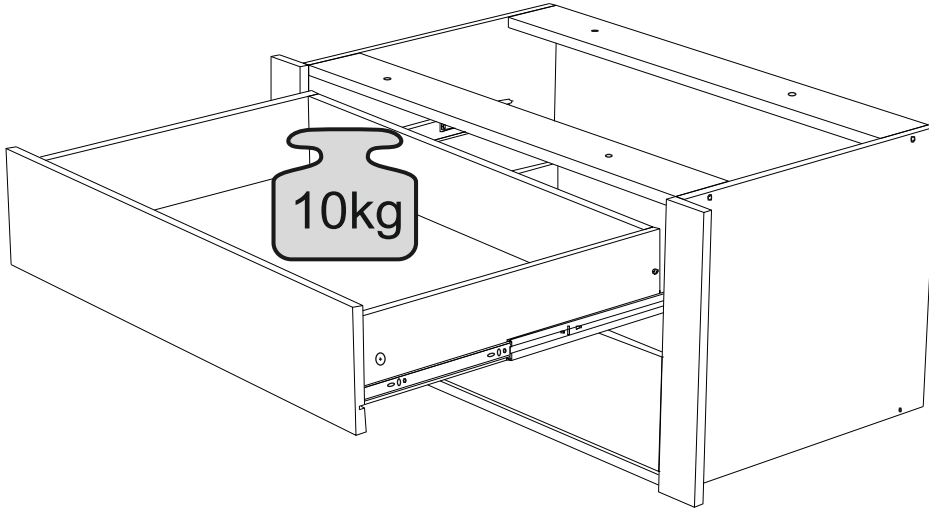
16

3,5x16 	L=1100 	
38x S01	1x RP04	8x PN01

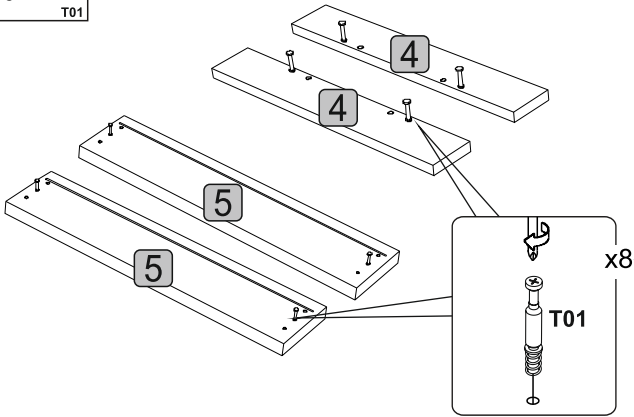
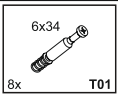


№	↙ 576	↙ 776	↙ 976	↙ 600	Pkg
1	388x455x16	388x455x16	388x455x16	1	6/6
2	388x455x16	388x455x16	388x455x16	1	6/6
3	454x80x16	654x80x16	854x80x16	4	6/6
4	388x41x16	388x41x16	388x41x16	2	2/5
5	446x158x16	646x158x16	846x158x16	2	6/6
6	396x100x16	596x100x16	796x100x16	2	6/6
7	450x100x16	450x100x16	450x100x16	2	6/6
8	450x100x16	450x100x16	450x100x16	2	6/6
9	455x428x3	455x628x3	455x828x3	2	6/6
KN01	L-450	L-450	L-450	2	6/6

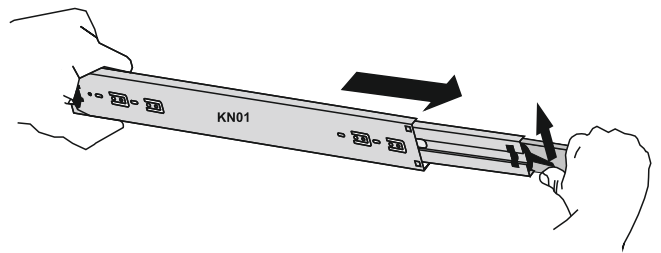
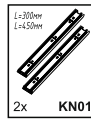




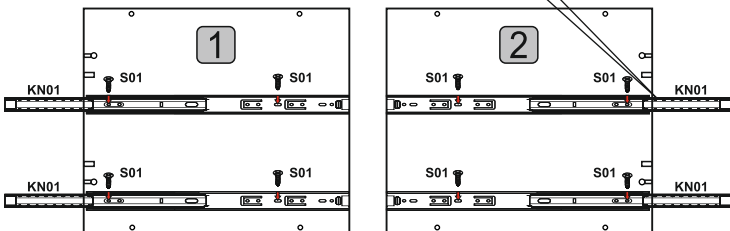
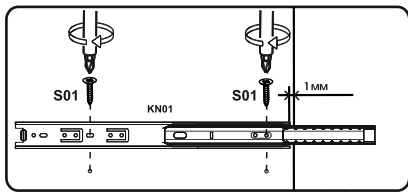
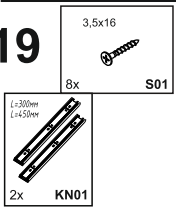
17



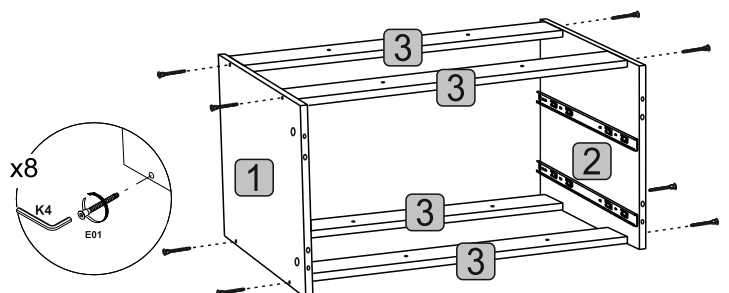
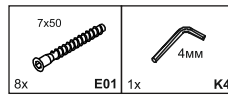
18



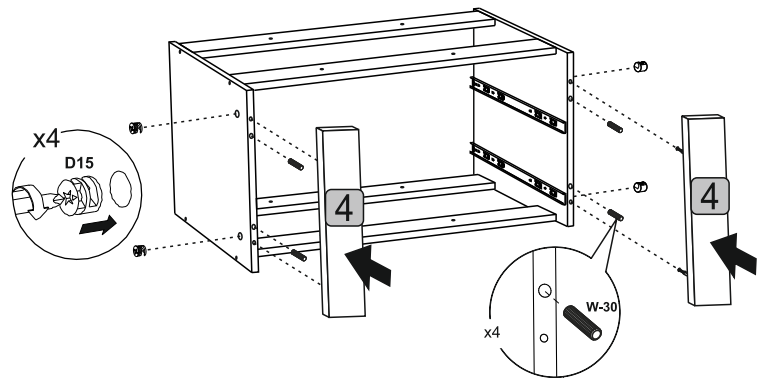
19



20

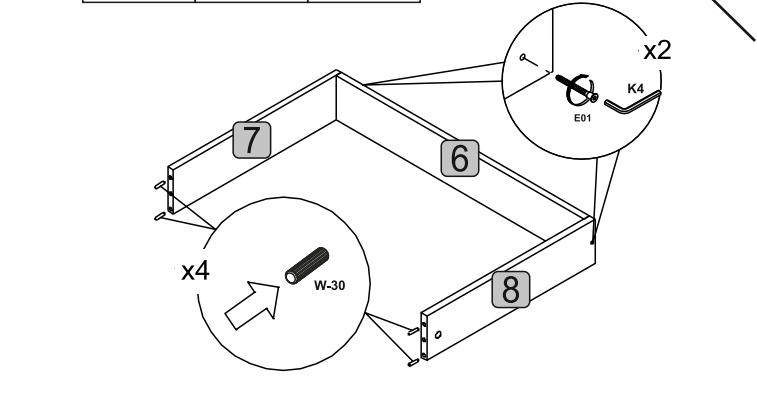


- 21**
- Ø15 4x D15
 - 8x30 4x W-30



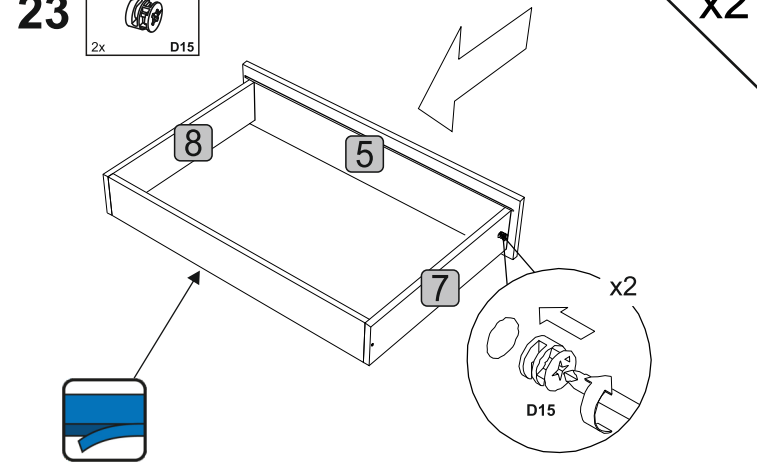
- 22**
- 7x50 2x E01
 - 4MM 1x K4
 - 8x30 4x W-30

x2



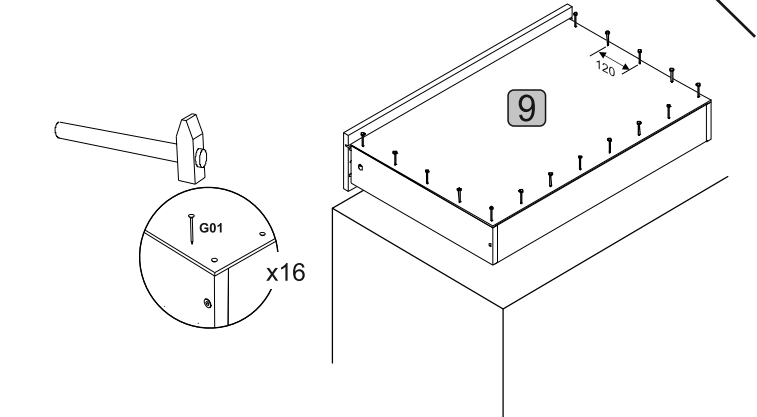
- 23**
- Ø15 2x D15

x2



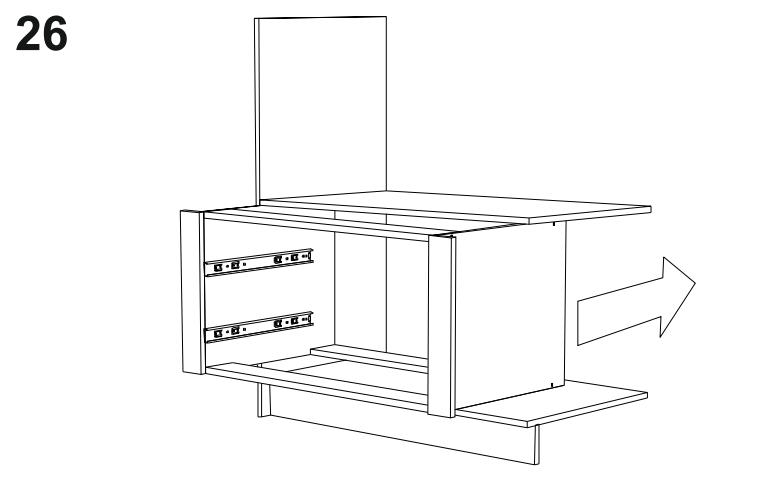
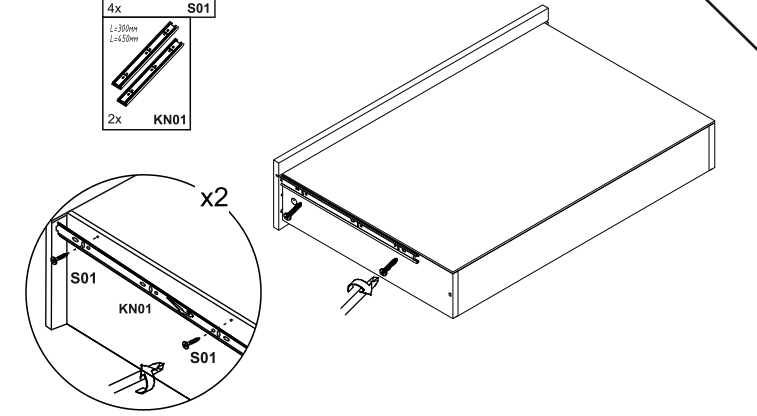
- 24**
- 1,6x25 16x G01

x2

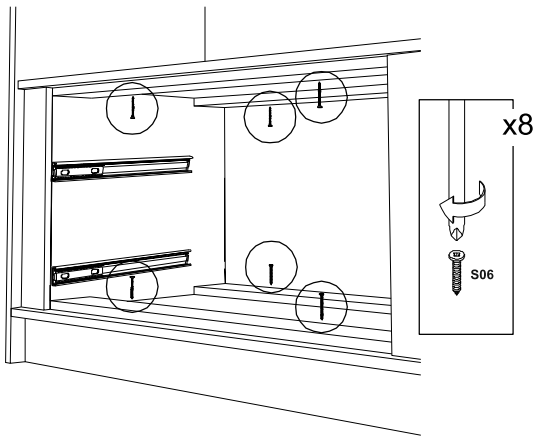


- 25**
- 3,5x16 4x S01
 - 2x KN01

x2



- 27**
- 3,5x30 8x S06



28

x2

